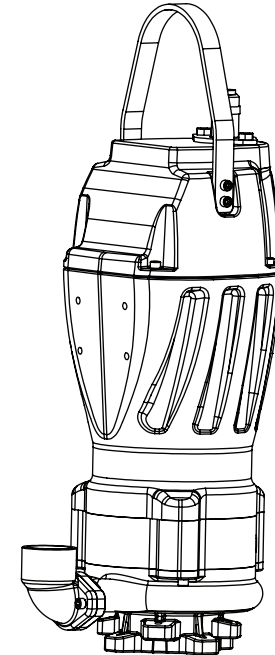


### Submersible Grinder Pumps

## Specifications:

<b>DISCHARGE</b> .....	1¼" NPT, Vertical, Bolt-on Flange
<b>LIQUID TEMPERATURE</b> .....	104°F (40°C) Continuous
<b>VOLUTE</b> .....	Cast Iron ASTM A-48, Class 30.
<b>MOTOR HOUSING</b> .....	Cast Iron ASTM A-48, Class 30.
<b>SEAL PLATE</b> .....	Cast Iron ASTM A-48, Class 30.
<b>IMPELLER: Design</b> .....	12 Vane, Vortex, With Pump Out Vanes On Back Side. Dynamically Balanced, ISO G6.3.
<i>Material</i> .....	Cast Iron
<b>CUTTLE PLATE</b> .....	Hardened 440C Stainless Steel Rockwell® C-55.
<b>CUTTER</b> .....	Hardened 440C Stainless Steel, Rockwell® C-55.
<b>SHAFT</b> .....	416 Stainless Steel
<b>O-RING</b> .....	Buna-N
<b>HARDWARE</b> .....	300 Series Stainless Steel
<b>PAINT</b> .....	Powder Coat
<b>SEAL: Design</b> .....	Tandem Mechanical, Oil Filled Reservoir.
<i>Material</i> .....	Rotating Faces - Silicon-Carbide Stationary Faces - Silicon-Carbide Elastomer - Buna-N Hardware - 300 Series Stainless
<b>CORD ENTRY</b> .....	30 ft. (9.1 m) Std. Cord. Custom Molded Quick Connect, for Sealing and Strain Relief
<b>CORD</b> .....	CSA/UL Approved 12/4 Type SOW.
<b>UPPER BEARING:</b>	
<i>Design</i> .....	Single Row, Ball, Oil Lubricated
<i>Load</i> .....	Radial
<b>LOWER BEARING:</b>	
<i>Design</i> .....	Single Row, Ball, Oil Lubricated
<i>Load</i> .....	Radial & Thrust
<b>MOTOR: Design</b> .....	NEMA L-Single Phase, (ZSGV2072L, includes overload protection in the motor). NEMA B-Three Phase Torque Curve. Oil-Filled, Squirrel Cage Induction
<i>Insulation</i> .....	Class F
<b>SINGLE PHASE</b> .....	Capacitor Start/Capacitor Run. Includes overload protection in the motor. Requires Barnes® Starter or Control Panel which Includes Capacitors, or Capacitor pack.
<b>THREE PHASE</b> .....	Dual Voltage 240/480; Requires Overload Protection to be Included in control panel.
<b>OPTIONAL EQUIPMENT</b> .....	Impeller Trims, Cord Length. Moisture Sensors, Moveable Fitting, Leg Kit
<b>RECOMMENDED:</b>	
<i>Accessories</i> .....	Break Away Fitting (BAF) Check Valve Control Panel



**Series: ZSGV**  
**2HP, 3450RPM, 60Hz**

# RAZOR

Sample Specifications: Section 3 Page 8.

### DESCRIPTION:

THE GRINDER PUMP IS DESIGNED TO REDUCE DOMESTIC, COMMERCIAL, INSTITUTIONAL AND LIGHT INDUSTRIAL SEWAGE TO A FINELY GROUND SLURRY.

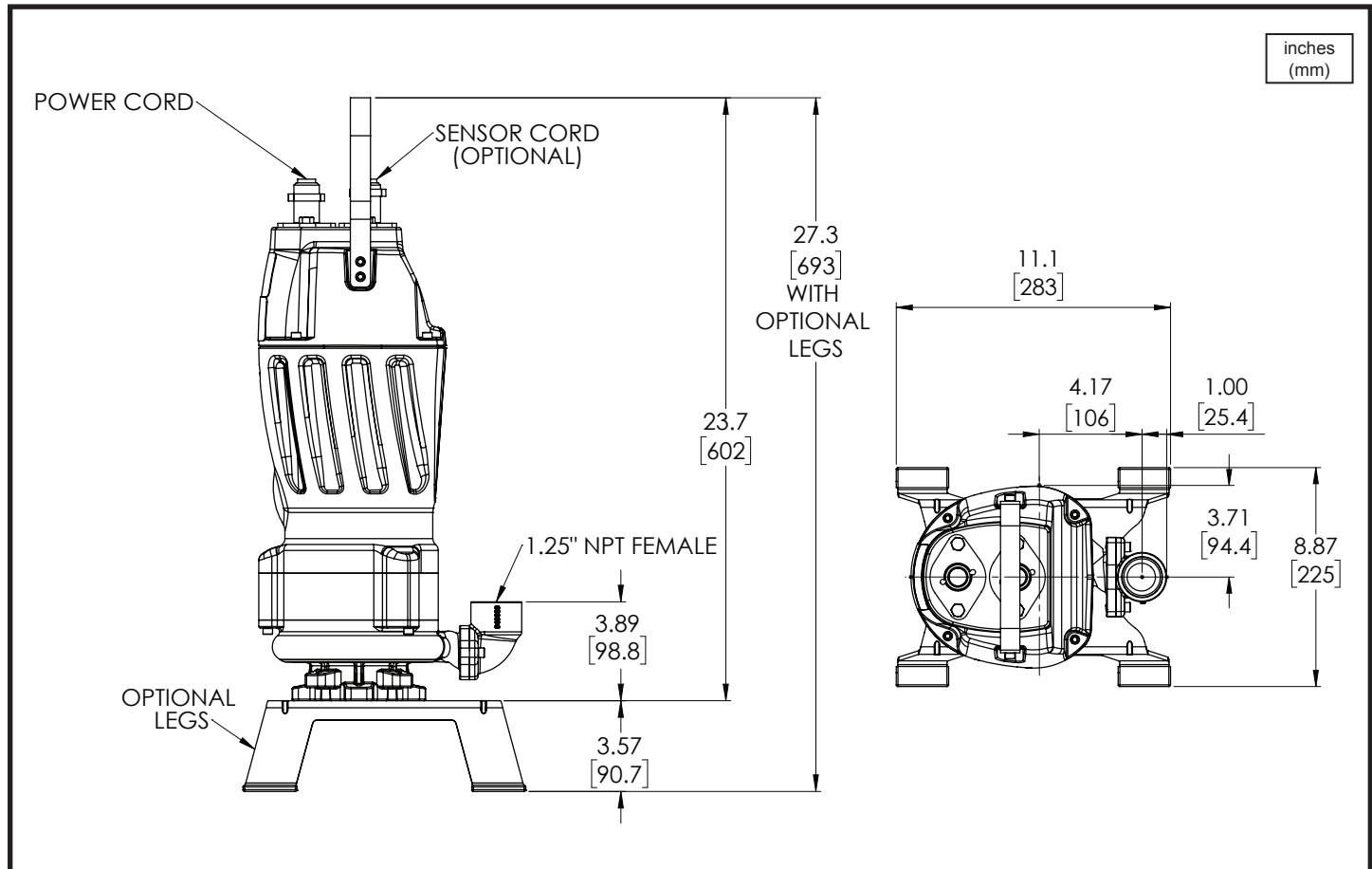


**WARNING:**

CANCER AND REPRODUCTIVE HARM -  
WWW.P65WARNINGS.CA.GOV



### Submersible Grinder Pumps



MODEL NO	PART NO	HP	VOLT	PH/Hz	RPM (Nom)	NEMA START CODE	FULL LOAD AMPS	LOCKED ROTOR AMPS	CORD SIZE	CORD TYPE	CORD O.D. ± .02 (.5) in (mm)
ZSGV2072L	145349	2	208-240	1/60	3450	H	17.5-15.0	53.8	12/4	SOW	.67(17.0)
ZSGV2092L	145353	2	208-240	3/60	3450	J	8.5-8.2	43.9	12/4	SOW	.67(17.0)
ZSGV2042L	145480	2	480	3/60	3450	J	4.6	22.0	12/4	SOW	.67(17.0)
ZSGV2052L	145481	2	600	3/60	3450	J	3.6	14.5	12/4	SOW	.67(17.0)

**Optional** - Temperature sensor cord for all models is 14/3 SOW, 0.55 (14mm) ± .02 (.51mm) O.D. (Not used on ZSGV2072L).

**Optional** - Moisture and Temperature sensor cord for all models is 18/5 SOW, 0.49 (12.4mm) ± .02 (.51mm) O.D., replaces Temperature sensor cord.

#### IMPORTANT !

- PUMP MAY BE OPERATED "DRY" FOR EXTENDED PERIODS WITHOUT DAMAGE TO MOTOR AND/OR SEALS.
- INSTALLATIONS SUCH AS DECORATIVE FOUNTAINS OR WATER FEATURES PROVIDED FOR VISUAL ENJOYMENT MUST BE INSTALLED IN ACCORDANCE WITH THE NATIONAL ELECTRIC CODE ANSI/NFPA 70 AND/OR THE AUTHORITY HAVING JURISDICTION. THIS PUMP IS NOT INTENDED FOR USE IN SWIMMING POOLS, RECREATIONAL WATER PARKS, OR INSTALLATIONS IN WHICH HUMAN CONTACT WITH PUMPED MEDIA IS A COMMON OCCURRENCE.

### Submersible Grinder Pumps

